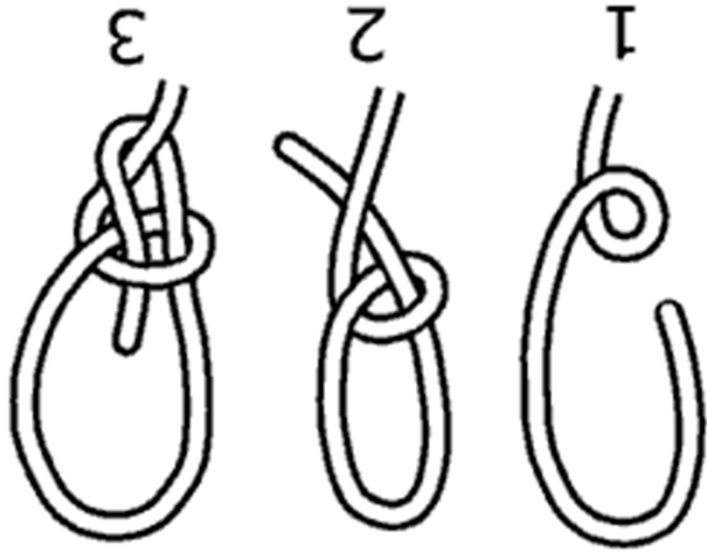


Bowline



The Cleat Hitch



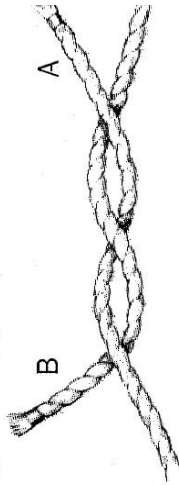
Figure Eight



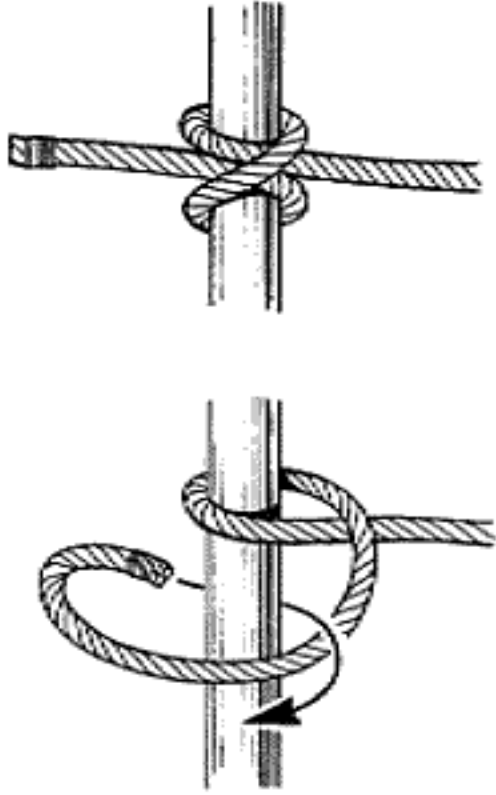
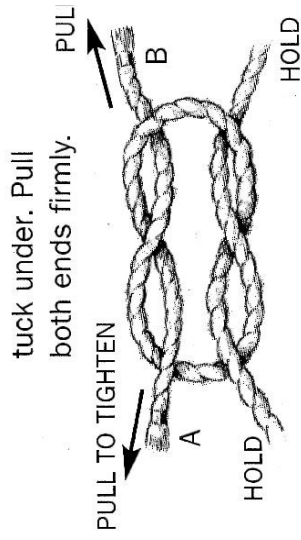
Reef knot

Joins two ropes of equal thickness.

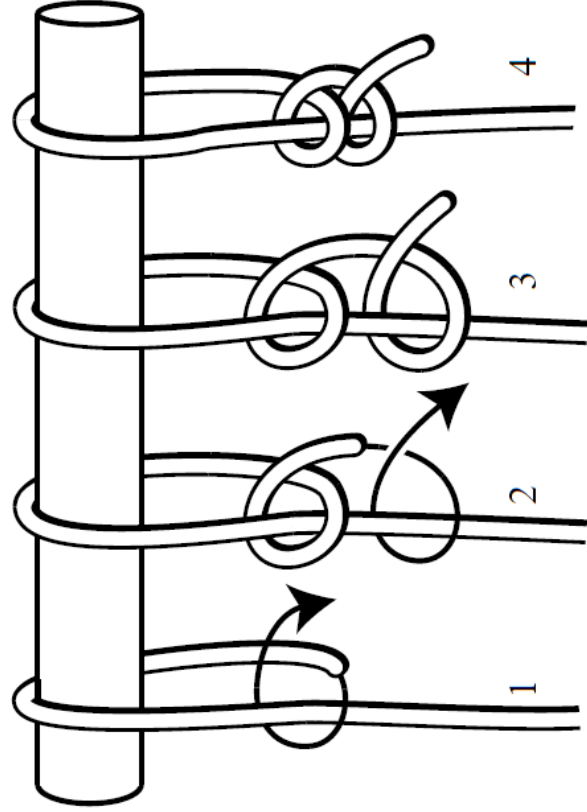
- 1 Place the left end (A) over the right end (B) and tuck under.



- 2 Place A over B and tuck under. Pull both ends firmly.



Clove Hitch



Two Half-Hitches